

SPECIFICATION SHEET: FHSCP-UNV-17WL

This Is An Original Product From Fulham Co., Inc

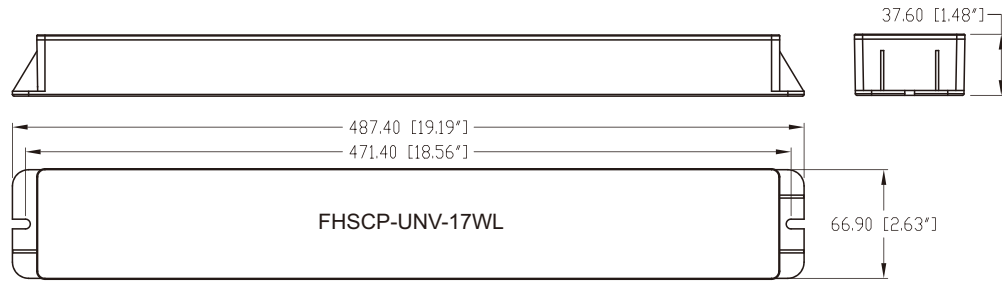
Description: Emergency LED Driver - Output 17W (Constant) - Universal Voltage - 340-850mA - 20-50V Forward Voltage - Long Case with Wire

This Driver Will Operate The Following LED Modules:
Any LED module designed to accept constant input current of 340-850mA and that has a forward input voltage range of 20-50VDC.

ELECTRICAL DATA

Input Voltage	120-277VAC, 50/60Hz
Input Current	0.11A Max.
Input Power	7.9W
Output Current	340-850mA
Output Voltage Range	20-50Vdc
Output Power/ Lumens	17.0W (Constant)/ 2700lm
Battery Type/ Model Number	Ni-Cd 14.4Vdc
Battery Capacity Available	40.3WH
Recharge Time	24 Hours
Number of Output Channels	1
RFI/EMI	FCC Part 15A Non-Consumer
Output Type	Class 2
Ambient Operating Temperature Range	0°C to 50°C
Surge Protection	Per C62.41 (TVS)
Protections	Input Overcurrent Protection (Fusible link)
Service Life	50,000 Hours
Approvals / Class	ULus Class 2; Damp Locations

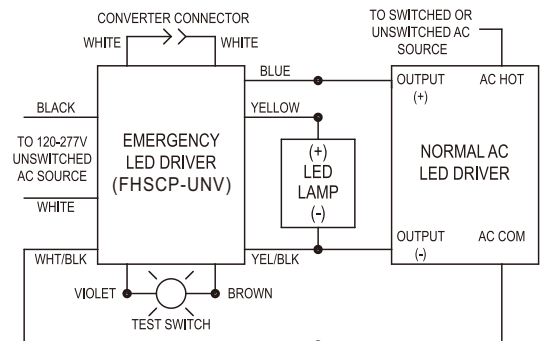
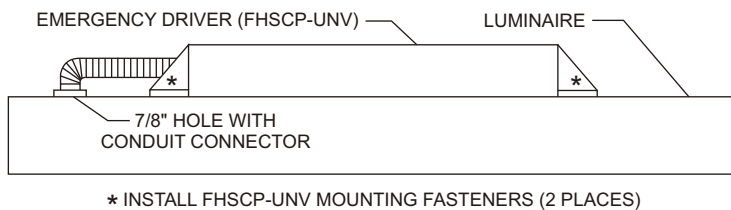
MECHANICAL DATA



Tolerance=±0.02"

NOTE : This Driver Must Be Grounded

WIRING DIAGRAMS



Fulham extends a limited warranty only to the original purchaser or to the first user for a period of **5 years** from the date of manufacture when properly installed and operated under normal conditions of use. For complete terms and conditions, please reference the Fulham Product Catalog (www.fulham.com). Due to a program of continuous improvement, Fulham reserves the right to make modifications or variations in design or construction to the equipment described. © Fulham Company Limited, All Rights Reserved.