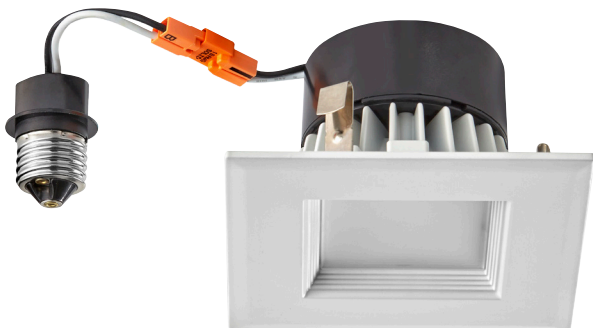




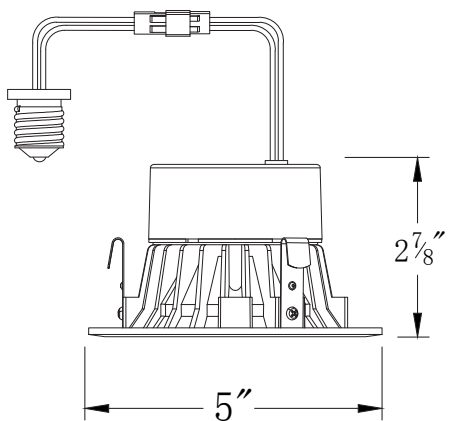
LED Retrofit

RTL/44SQ/WH/90/D

10 Watt LED Retrofit Module with
4" White Square Baffle Trim



- Dimmable to 5%*
- E26 medium base socket adapter included
- Compatible with most 4" recessed housings



Item #	RTL/44SQ/WH/90/D-28
Product Code	79717
UPC Code	751338093836
Watts	10
Volts	120V, 50/60 Hz
Rated Hour Life	50,000
CRI	95
Color Temperature	4000K
Lumens	760
Beam Angle	98°
Warranty	5 years

Specifications are subject to change without prior notice.



FIVE (5) YEAR LIMITED WARRANTY: TOPAZ LIGHTING CORP. warrants to the original purchaser that all TOPAZ LED lamps shall be free from defects of material and workmanship for a period of five (5) years from the date of purchase. TOPAZ LIGHTING CORP. will replace without charge a defective LED lamp that has not been misused, carelessly handled or improperly installed. Repair or replacement, as stated above, shall constitute the purchaser's exclusive warranty, which does not extend to transportation, installation, labor or any other consequential charges.

*Dimming - This unit is designed to be compatible with most leading edge or incandescent style rotary or slide type dimmers. (Dimming range 100% - 5%) Fixture performance may vary depending on dimmer manufacturer and circuit loading.

Avoid mixing load types on the same circuit: Do not dim LED while also dimming CFL or incandescent loads.

TOPAZ Lighting Corp. has found the following dimmers to be compatible with this unit: Leviton: DSL06 IPL06, 6674, and Lutron: CTCL-153P, DVCL-153P

Up to date information with additional dimmers can be found at www.topaz-usa.com



www.topaz-usa.com

NY Office: 925 Waverly Ave • Holtsville, NY 11742 • 800-666-2852 • Fax: 631-758-8026

CA Office: 225 Parkside Drive, San Fernando, CA 91340 • 888-551-2852 or 818-838-3123 • Fax: 888-690-2852 or 818-838-3102

FL Office: 2020 West 26th Street, Jacksonville, FL 32209 • 800-338-2852 • Fax: 772-778-5386